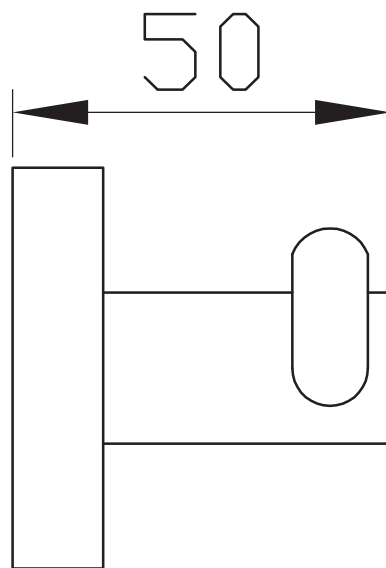
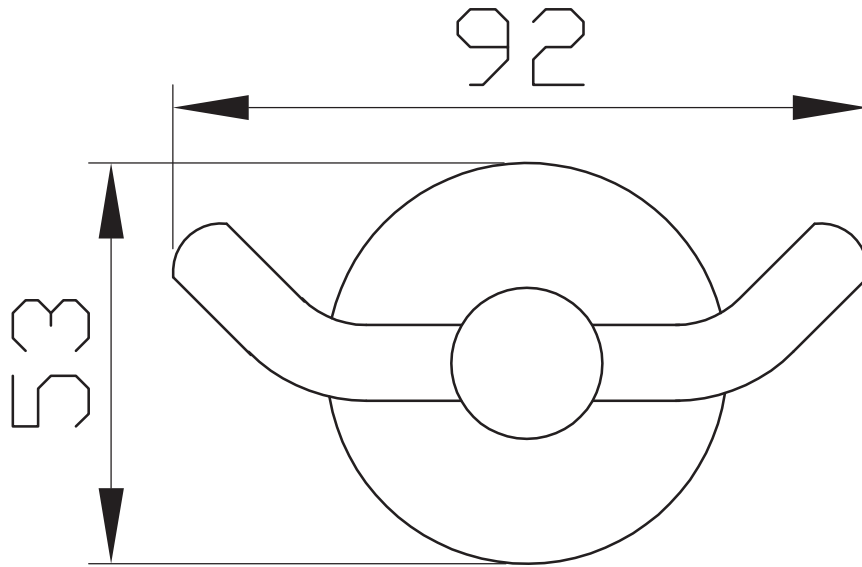


JB SANITARY



KB01 01